



## Global Architectural Openings Solutions

### Door Accessories

- Door Coordinator
- Flush Bolt
- Door Stopper



Contact us:  
+44 - 741 5132931  
[info@gaos-hwd.co.uk](mailto:info@gaos-hwd.co.uk)  
Unit1, Baxter Road  
Sheffield S61JF  
United Kingdom

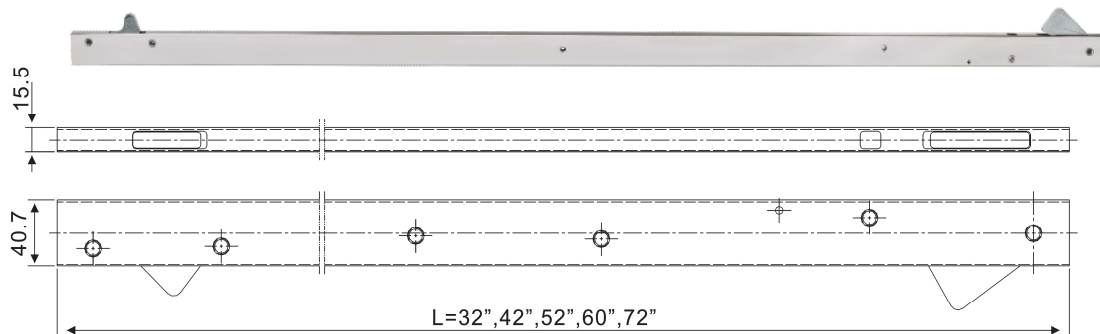
## Door Coordinator:

Door coordinators control the closing sequence of a pair of doors when both leaves have latching hardware, and one leaf latches into the other or features an overlapping astragal. These configurations typically include a vertical rod exit device or automatic flush bolts on the inactive leaf, and a mortise, bored, or preassembled lock, latch, or mortise exit device on the active leaf. If the active leaf closes first, its projected latch bolt will prevent the inactive door from closing. Consequently, the inactive leaf must close before the active leaf to ensure the doors return to a closed and latched position.

- Non-handed
- Surface or concealed installation
- Ensure the correct sequence of door closing
- Certified manufacture to ISO 9001

### DHC101:

#### Soffit Mounted Coordinator (Concealed):

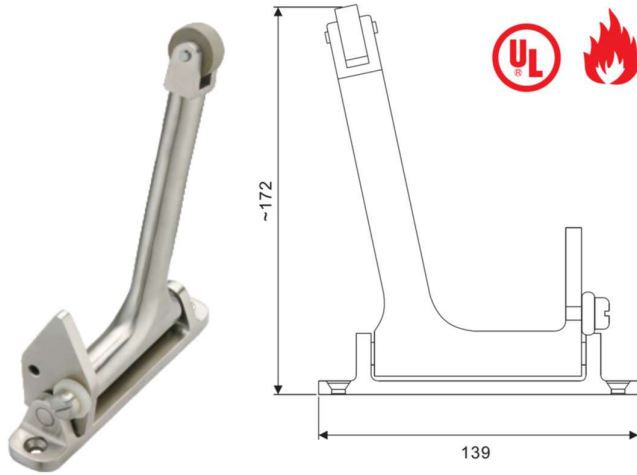


heavy duty coordinator

Equipped with an adjustable override feature which allows the active door to close under extreme pressure.

**DHC102:**

**Gravity Door Coordinator**



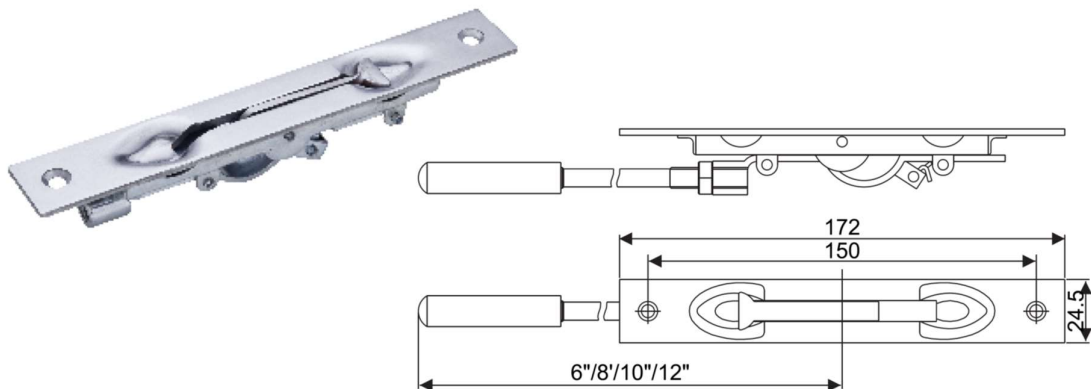
---

## Flush Bolts:

**Flush Bolt for Metal Doors**

**FLB172:**

**Manual Flush Bolt**

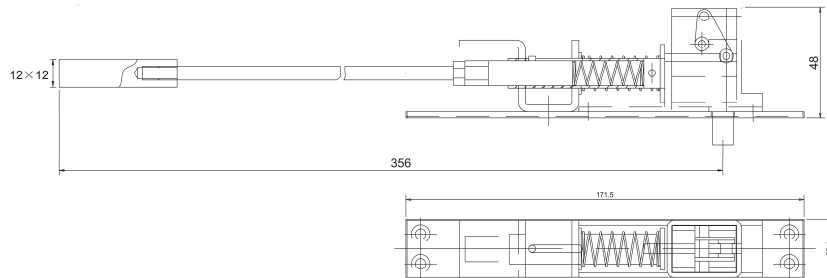




Global Architectural Openings Solutions

**FLB1715:**

Fully Automatic Flush Bolt:



**FLB1715**  
Automatic flush bolts for metal doors

Fully Automatic-inactive door is latched when active door closes, bolts retract when active door is opened.

Non-handed.

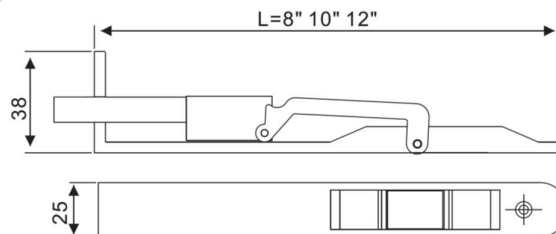
Bolts have 3/4" throw with a 7/8" vertical adjustment.

Standard Rod Length is 12", which is measured from the center of the flush bolt body to the bolt tip.

Optional rod lengths available for top bolt for 18", 24", 36" and 48"

**Flush Bolt for Timbered Doors:**

**FLB203:**



**FLB216:**

**FLB216**

**Automatic flush bolts for wood doors**

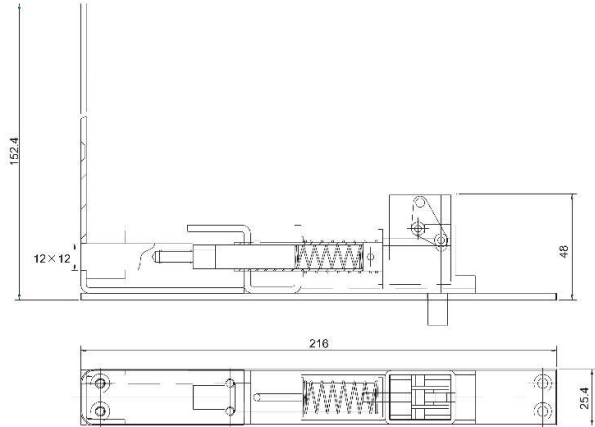
Fully automatic-inactive door is latched when active door closes, bolts retract when active door is opened.

Non-handed.

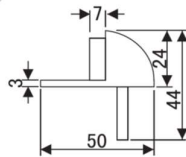
Bolts have 3/4" throw with a 7/8" vertical adjustment.

Material: stainless steel 304

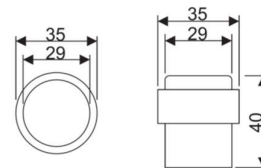
Finish: SSS, PVD



## Door Stopper:



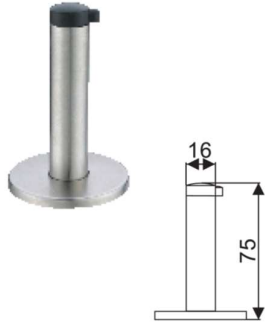
DSS101:



DSS102



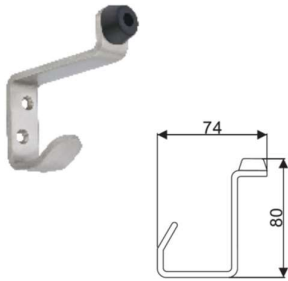
Global Architectural Openings Solutions



DSS 103



DSS104



DSH105